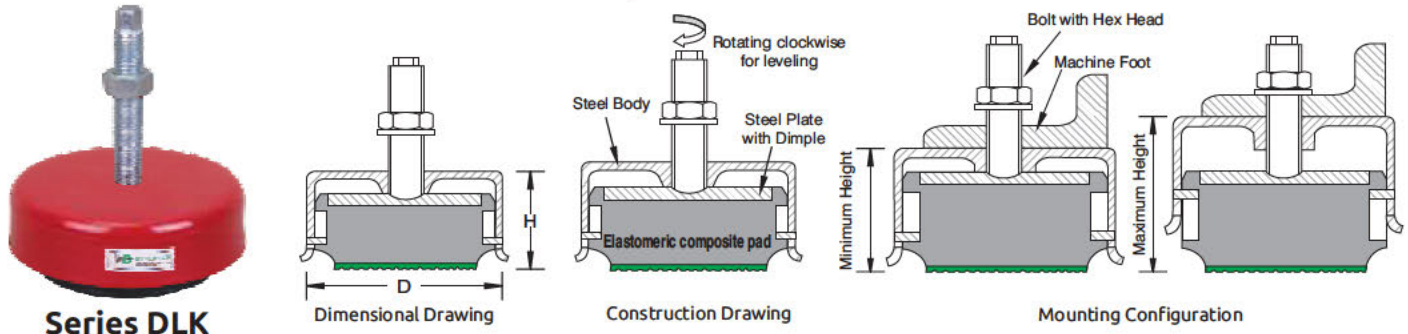


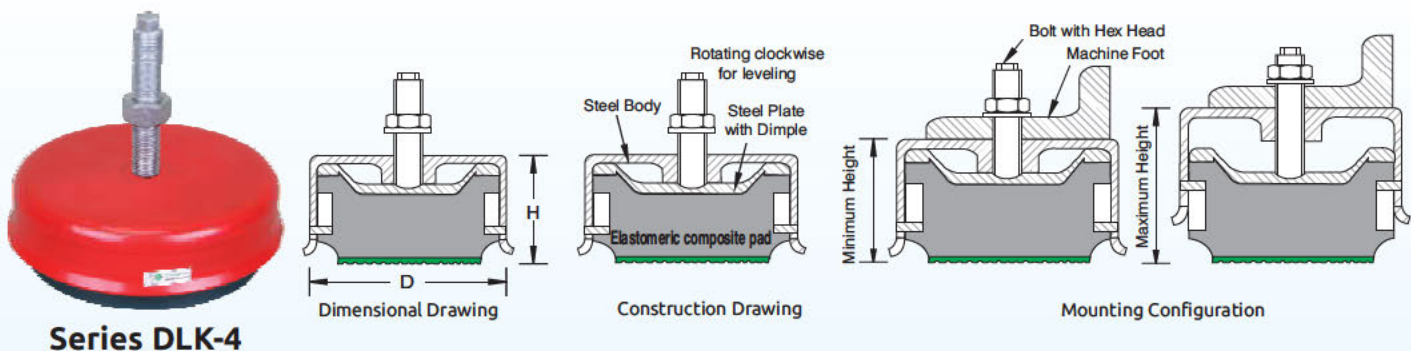
## SCREW SUPPORT MOUNTS, Series DLK



Dynemech Screw Support Mounts Series DLK are simple and effective vibration dampers for machines with respective holes in the base. These mounts offer both low frequency attenuation and stable machine levelling. The **DLK series** vibration damping and levelling mounts provide fast and easy installation of machines. DLK Series anti vibration mounts have steel body and are used for machines having mounting holes in the base. This levelling mount has a cover plate and dimpled bottom plate holding the insulation plate. Levelling is done by tightening the bolt which lifts the cover plate with the machine base.

Model	Load Kg/pc	Bolt Size	D (mm)	H (mm)	Adj. Range (mm)	APPLICATIONS
DLK1 a	580	M12 x 100	92	50	10	Textile Machines, CNC Machines, Power Presses, Plastic Injection Moulding Machines, Pressure Die Casting Machines, Printing Machines, Compressors, Grinding Machines and All types of Heavy Industrial Applications.
DLK1 b	750	M12 x 100	92	50	10	
DLK1 c	900	M12 x 100	92	50	10	
DLK2 a	1200	M16 x 100	135	50	10	
DLK2 b	1900	M16 x 100	135	50	10	
DLK2 c	2600	M16 x 100	135	50	10	
DLK3 a	2900	M20 x 150	195	58	12	
DLK3 b	3400	M20 x 150	195	58	12	
DLK3 c	4200	M20 x 150	195	58	12	

## SCREW SUPPORT MOUNTS, Series DLK-4



Dynemech Screw Support Mounts Series DLK 4 are suitable for heavy machine installations. They provide additional damping in shear and radial directions.

Model	Load Kg/pc	Bolt Size	D (mm)	H (mm)	Adj. Range (mm)	APPLICATIONS
DLK4 a	4000	M24 x 150	238	80	20	Textile Machines, CNC Machines, Power Presses, Plastic Injection Moulding Machines, Pressure Die Casting Machines, Printing and Packaging Machines, Compressors, Grinding Machines and All types of Heavy Industrial Applications.
DLK4 b	5000	M24 x 150	238	80	20	
DLK4 c	6000	M24 x 150	238	80	20	

Note: DLK-4 Series Bolt Sizes M-10, M12, M16, M20, M24, M30 possible on special request.